

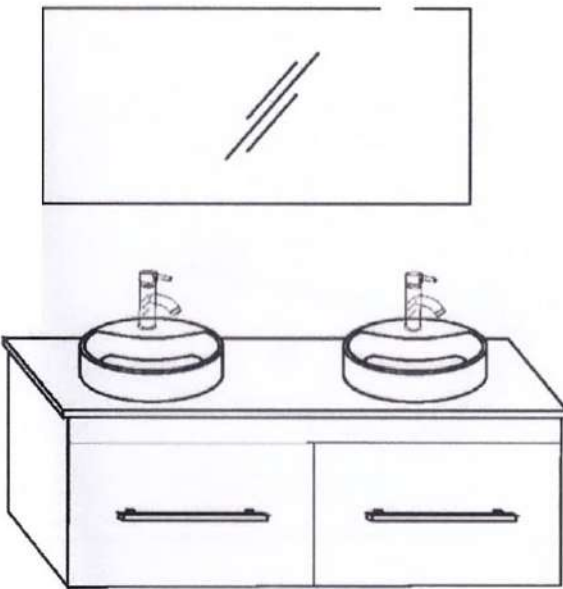


SIMBA

Cardellino model

Parts List

Prior to installation, please check received items against the "Parts List".
Please report any missing items to your retailer immediately.
Professional installation recommended.



a	320mm 2x	A	400*450*15mm	1x
c	4x	B	400*450*15mm	1x
d	M7*40mm 4x	D	1480*100*18mm	1x
e	Φ16 92x	E	1500*480*18mm	1x
g	92x	I	738.5*297*15mm	2x
n	4x	F	1450*448*15mm	1x
o	6x20mm 4x	G	450*100*15mm	1x
p	10mm 4	H	1450*100*15mm	1x
q	M4*42mm 4x	C	385*432*15mm	1x
r	3.5x14mm 48x	J	295*150*15mm	4x
t	2x	K	255*135*15mm	4x
aa	Φ47x2mm 4x	L	170*135*15mm	4x
ab	Φ47 Φ37x2mm 2x	M	121*135*15mm	2x
ac	4x	N	671*300*5mm	2x

- Mark the position of the screw holes on the wall by measuring the space between the centers of the mounting brackets on the back of the vanity.
- Vertical position (X) is decided by the purchaser - remember to mark low enough to accommodate the sink on the top of the vanity counter or it will be too high when installed. Use a spirit level

Tools List (Tools not included)



Electric drill



Tape measure



Silicone



Adjustable wrench



Drill bit



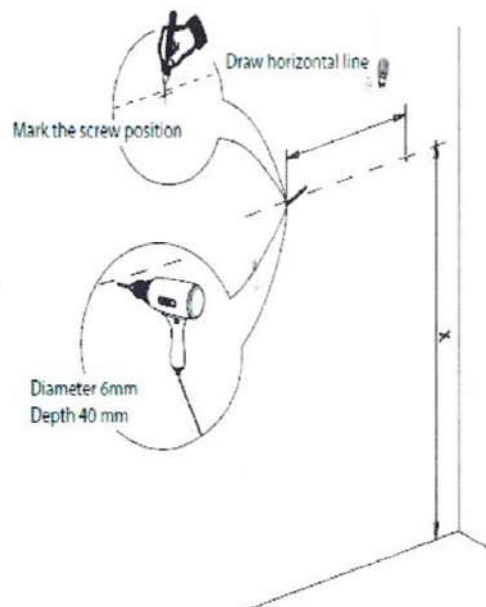
Pencil



Screwdriver



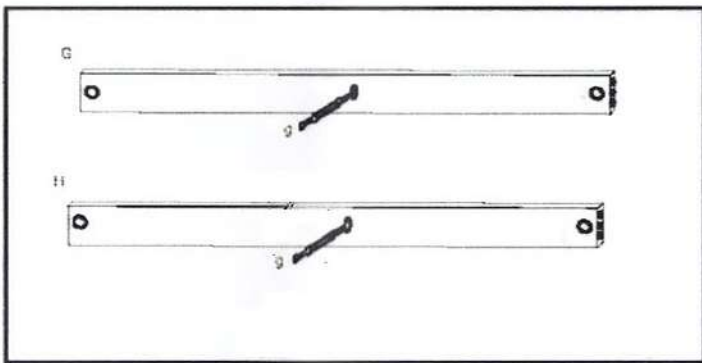
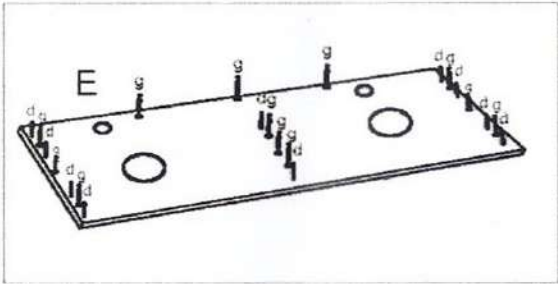
Spirit level



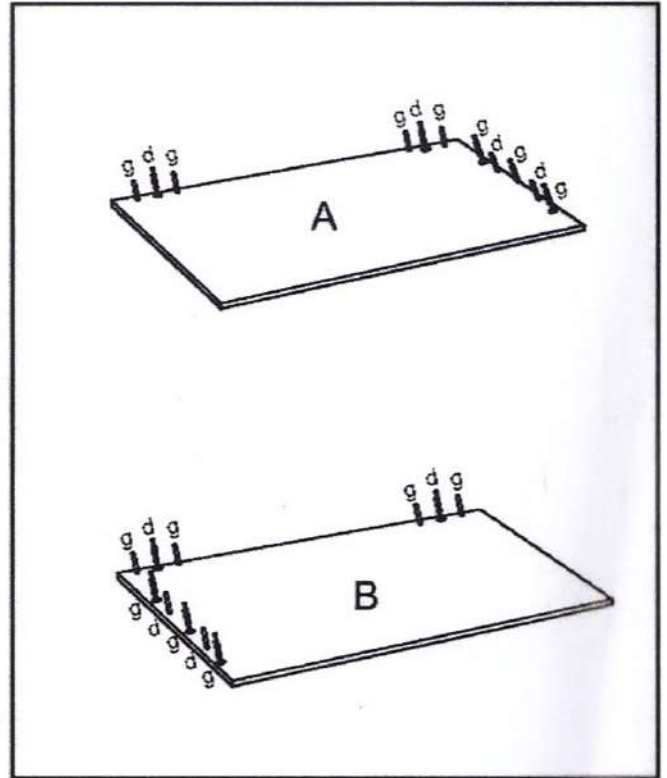


Cardellino model

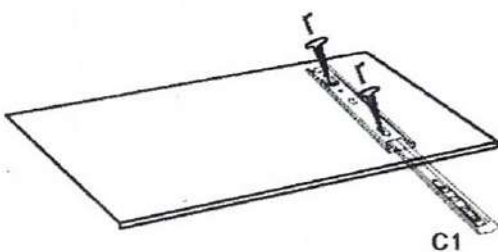
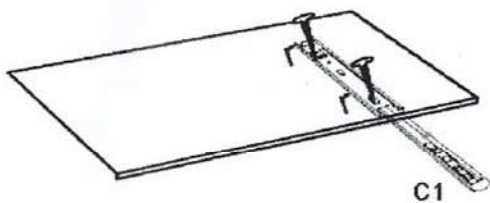
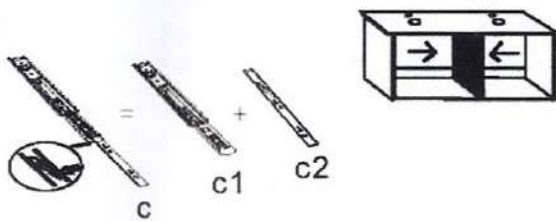
E



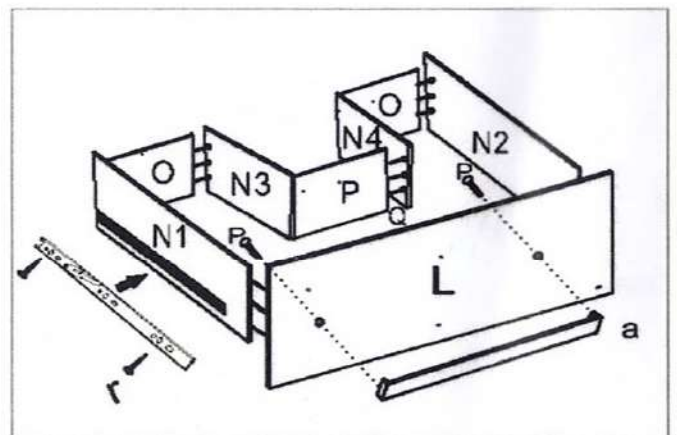
A B



3



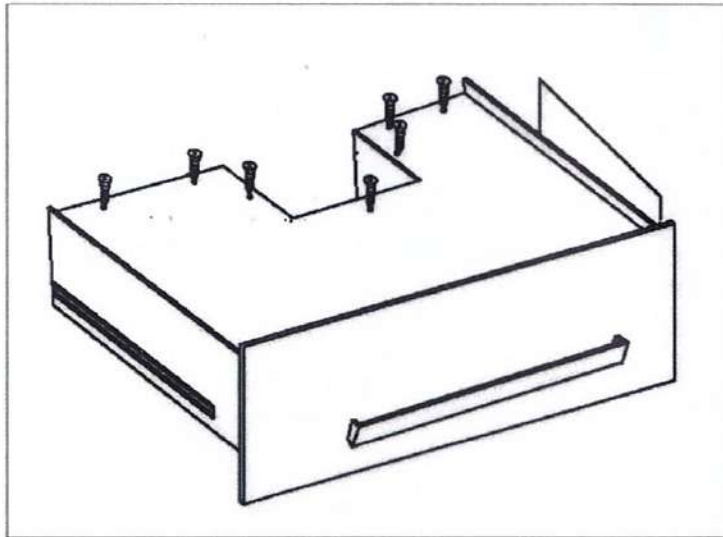
4



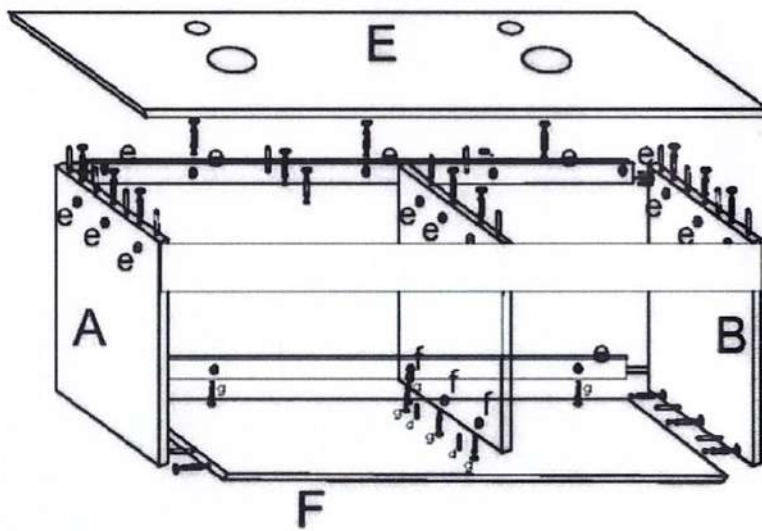


Cardellino model

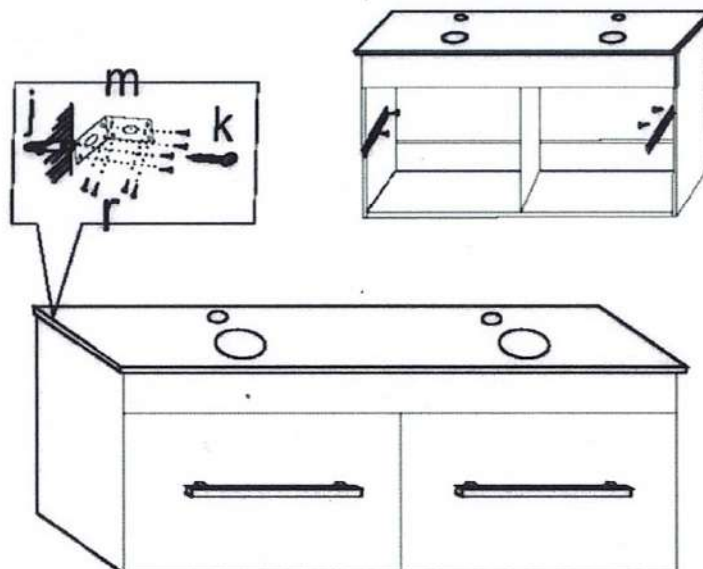
5



6



7





Cardellino model

