

# Soccer table AZTECA

# INSTRUCTIONS

---



**WARNING:Choking Hazard--Toy contains small balls and/ or small parts.Not for children under 3 years.**

**IMPORTANT!**

Please keep your instructions. Before attempting assembly, please read through this instruction book to familiarize yourself with all the parts and assembly steps. We recommend that two adults assemble the football table. Please refer to the parts list below and be sure that all parts have been included.

**PARTS LIST**

1  SIDE BOARD 2EA	2  GOAL END BOARD 2EA	3  LEG PANEL 2EA	4  SOCCER PLAYFIELD 1EA	5  SUPPORT BRACES 2EA	6  LEG 4EA
7  6X55MM LEG BOLT 20EA	8  18X6.5MM WASHER 20EA	9  3.5 X 12MM WASHER HEAD SCREW 12 EA	10  3.5 X 50MM WASHER HEAD SCREW 12 EA	11  LEG LEVELER 4EA	12  END CUP 8EA
13  SCORER 2EA	14  HAND GRIP 8EA	15  1&3 PLAYER ROD 4EA	16  2 PLAYER ROD 2EA	17  5 PLAYER ROD 2EA	18  END RING 4EA
19  PLAYER (GRAY) 11EA	20  PLAYER (BLACK) 11EA	21  4X25MM ROUND HEAD SCREW 26EA	22  NUT 26EA	23  SOCCER BALL 2EA	24  ALLEN WRENCH 1EA
25  RUBBER BUMPER 16EA	26  BALL ENTRY CUP 2EA	27  GOAL BOX 2EA	28  TUBE 2EA	29  BALL RETURN TRAY 2EA	30  3.5X14MM FLAT HEAD SCREW 6 EA

FIG.1

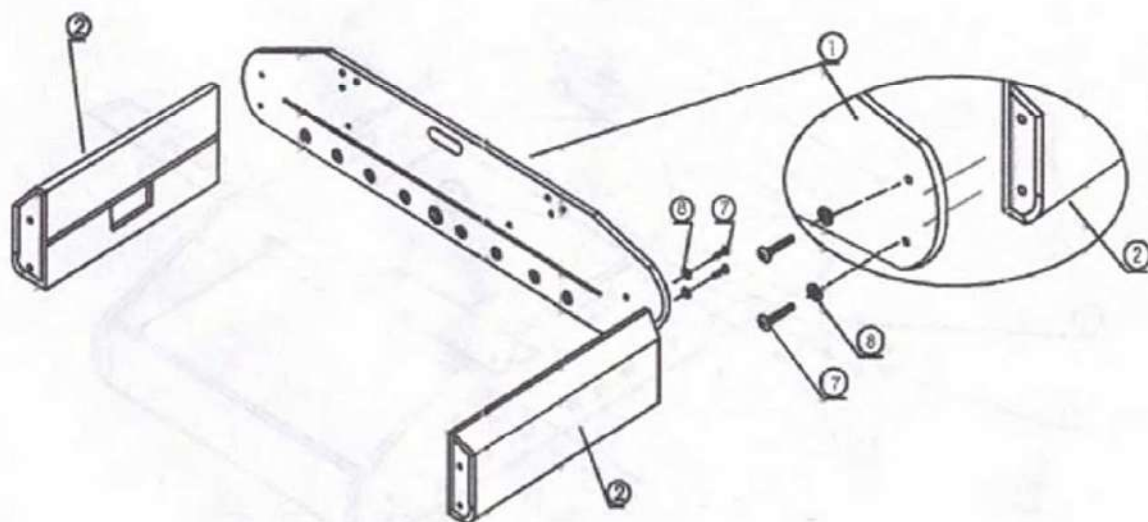


FIG.2

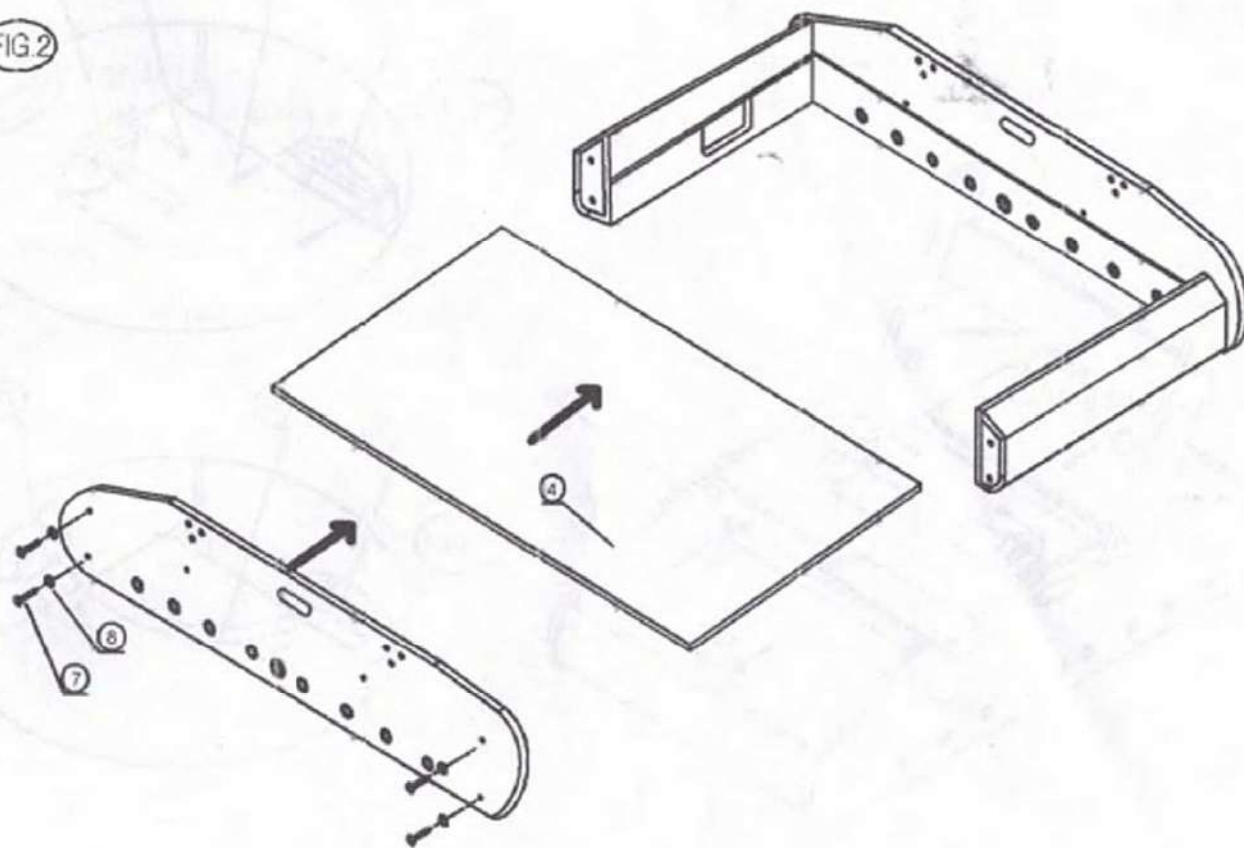


FIG.3

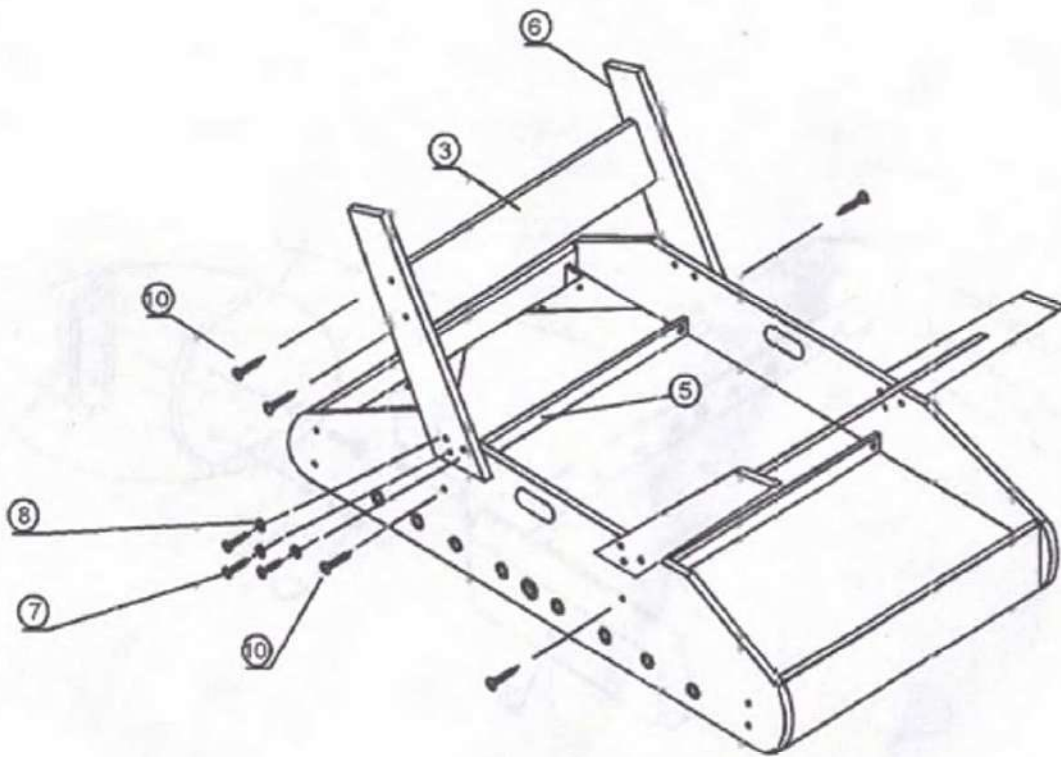


FIG.4

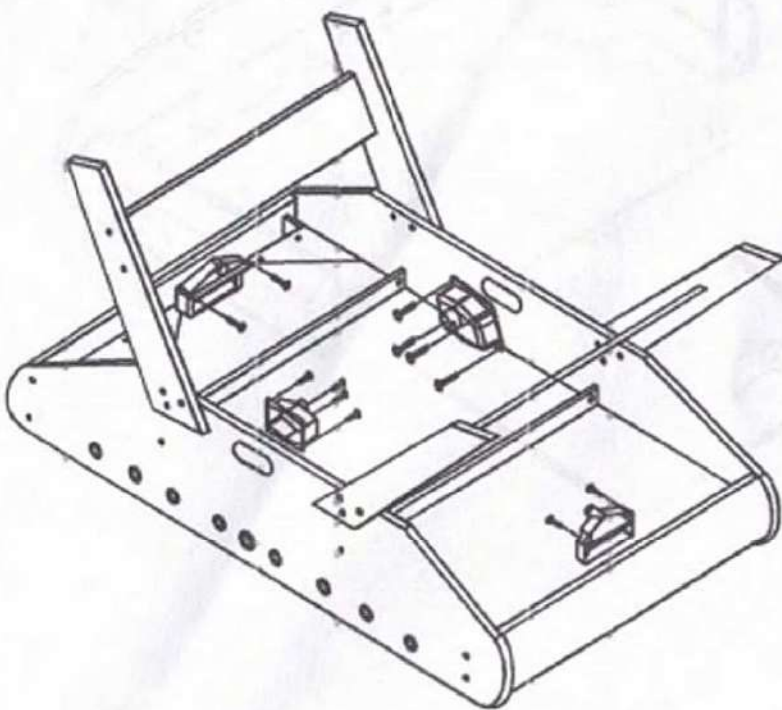


FIG.4A

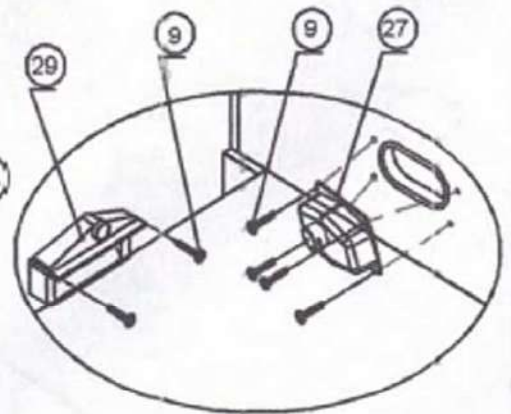


FIG.4B

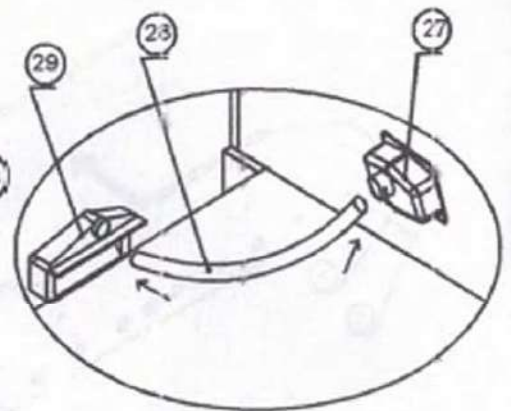
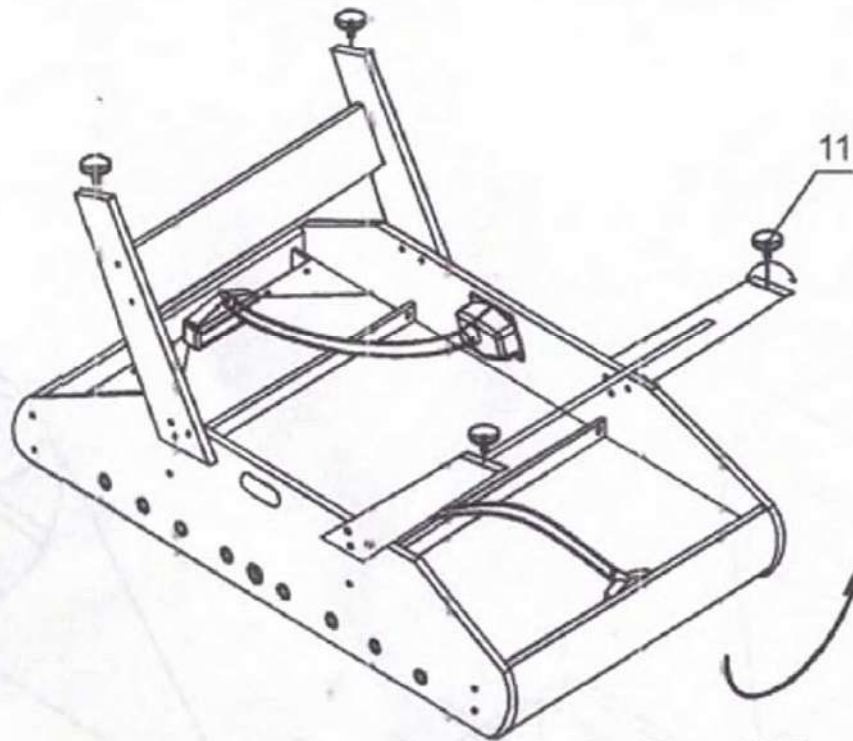


FIG.5



**CAUTION:** Two strong adults are recommended to flip the table as shown.  
 1. Grab the table on the ground.  
 2. Turn the table over.  
 3. Place it on all four feet at the same time on the ground.

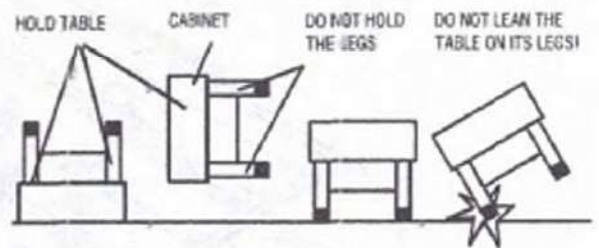
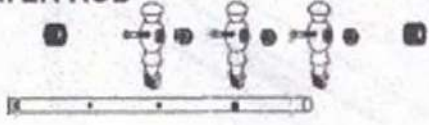
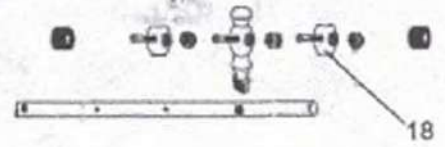


FIG.6

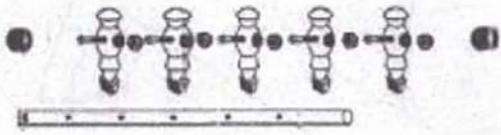
3 PLAYER ROD



1 PLAYER ROD



5 PLAYER ROD



2 PLAYER ROD

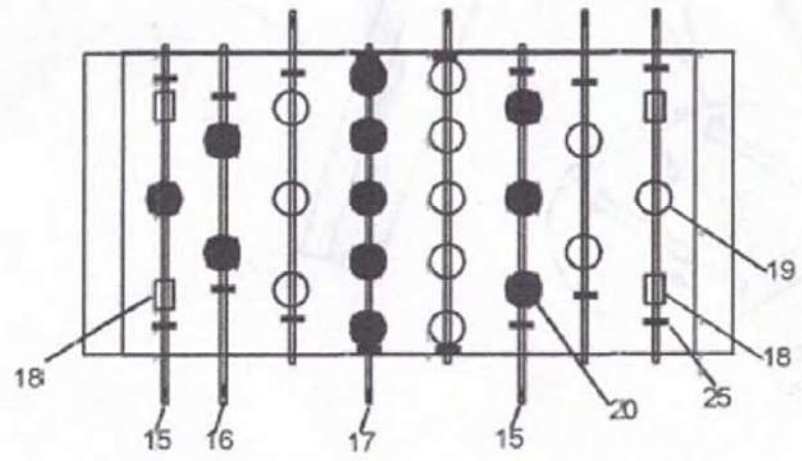
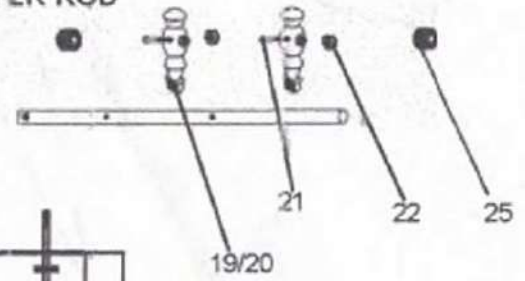


FIG 7

