

MULTIGAME 7FT INSTRUCTIONS



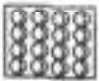













PARTS IDENTIFIER

ASSEMBLY PARTS	DESCRIPTION	QTY
 H1	1/4"x2-1/2" BOLT	8
 H2	1/4" WASHER	12
 H3	1/4"x2" BOLT	4
 H4	8#x7/8" screw	27
 P1	LEG	2
 P2	LEG SIDE PANEL	2
 P3	SHAFT SLEEVE	2
 P4	LEG LEVELER	4
 P5	NET SUPPORT	2
 P6	TABLE TENNIS NET	1

ASSEMBLY INSTRUCTIONS

PARTS IDENTIFIER

HARDWARE ACCESSORIES DESCRIPTION QTY

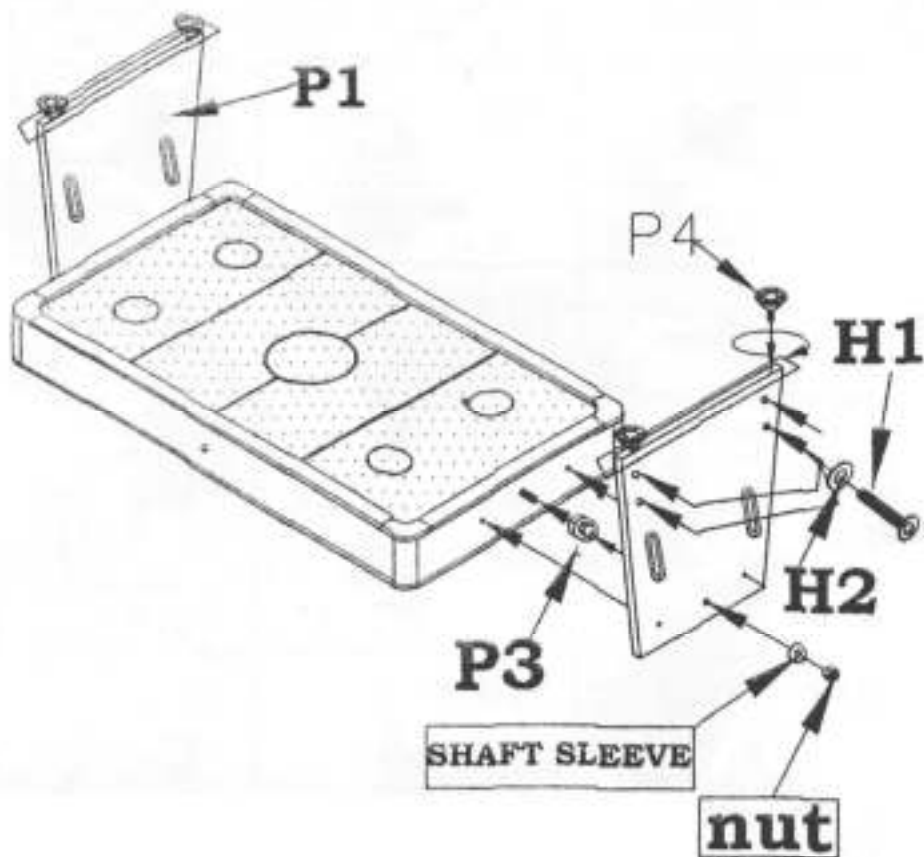
<p>P7</p>  <p>BILLIARD BALL 1set</p>	<p>P8</p>  <p>CUE STICK 2pcs</p>	<p>P9</p>  <p>TRIANGLE 1pc</p>
<p>P10</p>  <p>BRUSH 1pc</p>	<p>P11</p>  <p>RED PUSHER 2pcs</p>	<p>P12</p>  <p>RED PUCK 2pcs</p>
<p>P13</p>  <p>4mm HEX WRENCH 1PCS</p>	<p>P14</p>  <p>TABLE TENNIS BALL 3pcs</p>	<p>P15</p>  <p>BATS 2pcs</p>
<p>P16</p>  <p>CHALK 2pcs</p>	<p>P17</p>  <p>ball box 2pcs</p>	<p>P18</p>  <p>Billiards shelf 1pcs</p>
<p>P19</p>  <p>Air ball table rack 1pc</p>	<p>P20</p>  <p>Card buckle 4pc</p>	

ASSEMBLY INSTRUCTIONS

POOL TABLE ASSEMBLY

WARNING: TWO ADULTS NEEDED TO ASSEMBLE POOL TABLE

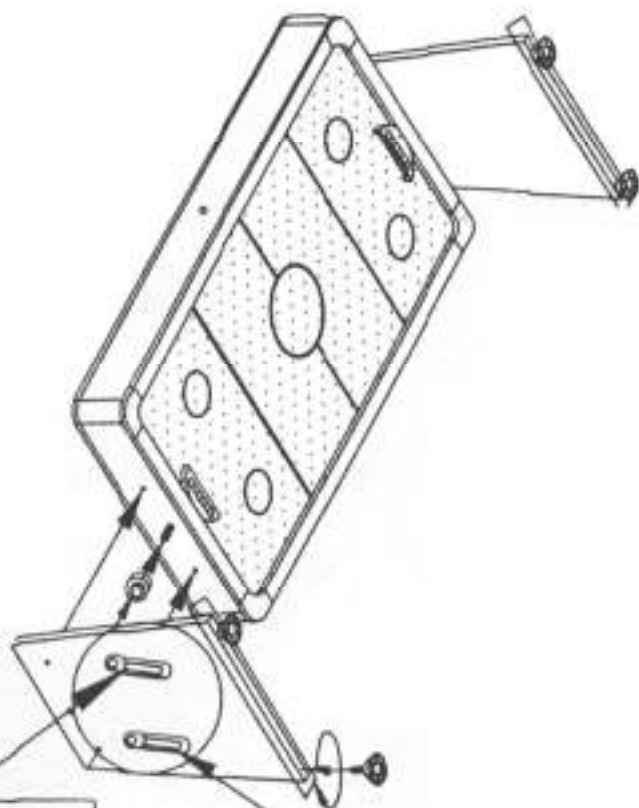
1. Please take the first tables of nuts and washers. Attach the there are holes (P3) to the bolt as shown FIGURE 1. Attach the legs (P1) to the table using the nuts and washers and plum blossom bolts (H1) as shown FIGURE 1.



ASSEMBLY INSTRUCTIONS

POOL TABLE ASSEMBLY

WARNING: TWO ADULTS NEEDED TO ASSEMBLE POOL TABLE



**OPEN THE BUCKLE
AND SPIN TABLE**

**COMPLETE THE ROTATION
TO CLOSE THE BUCKLE**

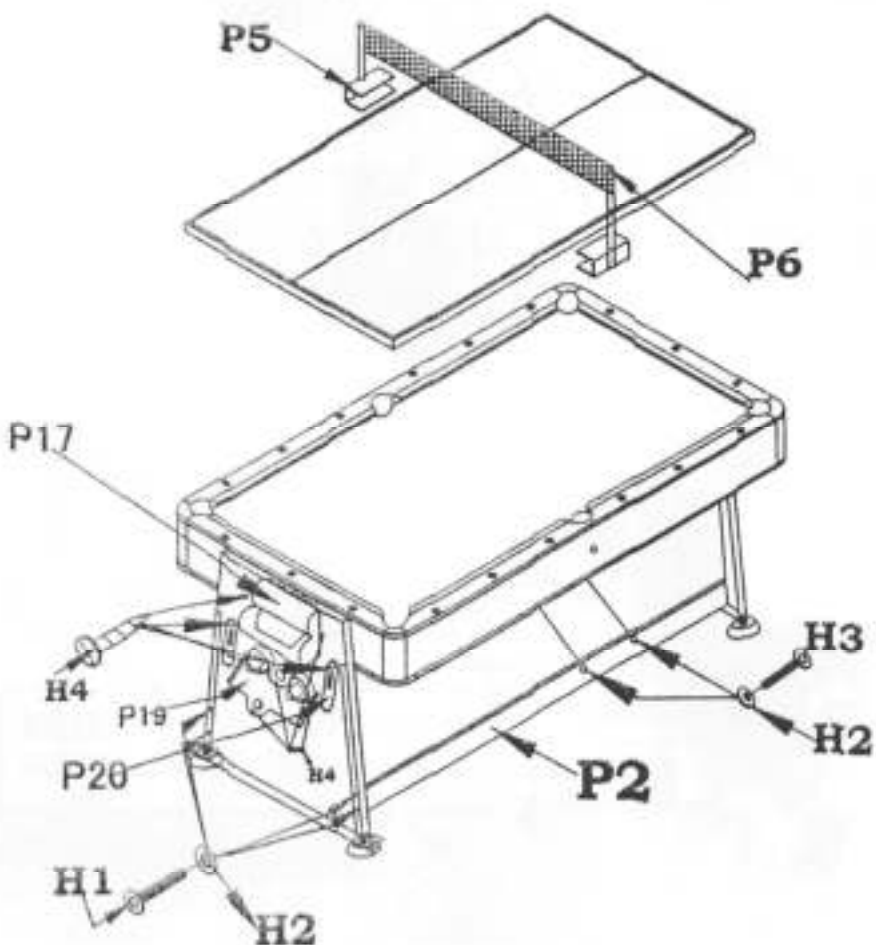
ASSEMBLY INSTRUCTIONS

POOL TABLE ASSEMBLY

WARNING: TWO ADULTS NEEDED TO ASSEMBLE POOL TABLE

2. Attach the leg side panels (P2) and to the legs (P1) using bolts (H3) and washers (H2) as shown in FIGURE 2.
3. Attach the network support (P13) to the table tennis top. Next the net (P12) to the network support (P13) as shown in FIGURE 2.

Note: please turn to loosen the plum flower extending bolts!



ASSEMBLY INSTRUCTIONS

POOL TABLE ASSEMBLY

WARNING: TWO ADULTS NEEDED TO ASSEMBLE POOL TABLE

2. Attach the leg side panels(P2)and to the legs(P1)using bolts(H3)and washers (H2) as shown in FIGURE 2.
3. Attach the network support (P13) to the table tennis top. Next the net (P12) to the network support(P13) as shown in FIGURE 2.

Note: please turn to loosen the plum flower extending bolts!

