



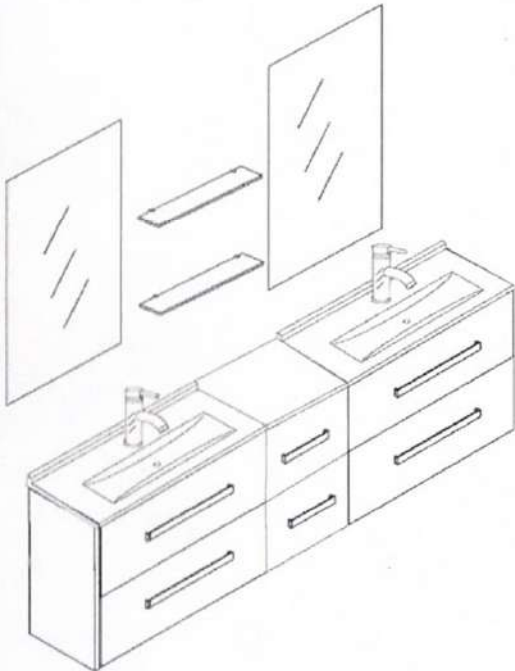
Black/White Rome model

Prior to installation, please check received items against the "Parts List".

Please report any missing items to your retailer immediately.

Professional installation recommended.

JS-8006D



a	4x	ad	4x
b	2x	A	1x
c	4x	B	1x
d	6x	C	1x
e	106x	D	1x
g	106x	E	1x
h	2x	F G	2x
i	4x	H	1x
j	4x	J	1x
k	4x	K	2x
m	4x	L	2x
n	4x	M1 M2	2x
o	4x	N1 N2	4x
p	12x	N3 N4	4x
r	64x	O	4x
t	2x	P	2x
y	2x	Q	2x
aa	2x	R	2x
Ab	2x	S	4x
Ac	4x	T	2x

- Mark the position of the screw holes on the wall by measuring the space between the centers of the mounting brackets on the back of the vanity.
- Vertical position (X) is decided by the purchaser - remember to mark low enough to accommodate the sink on the top of the vanity counter or it will be too high when installed. Use a spirit level

Tools List (Tools not included)



Electric drill



Tape measure



Silicone



Adjustable wrench



Drill bit



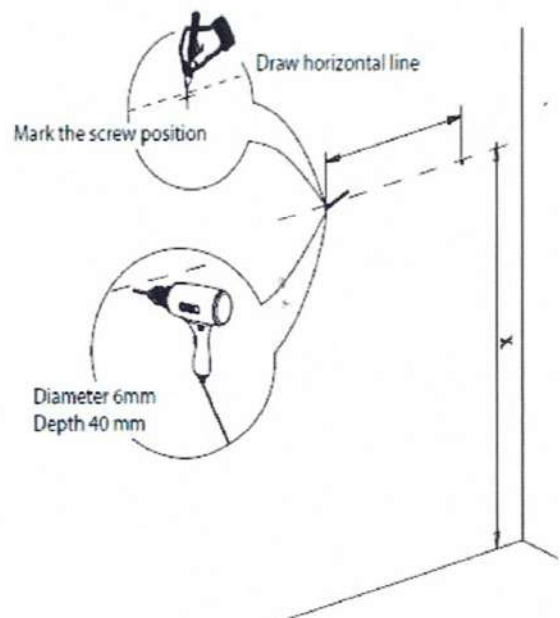
Pencil



Screwdriver

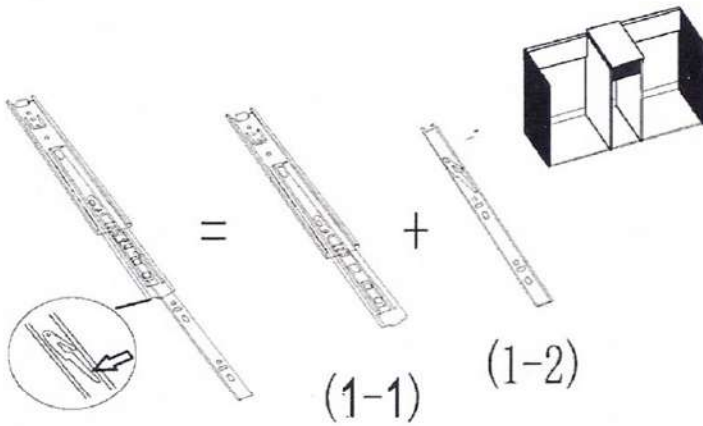


Spirit level

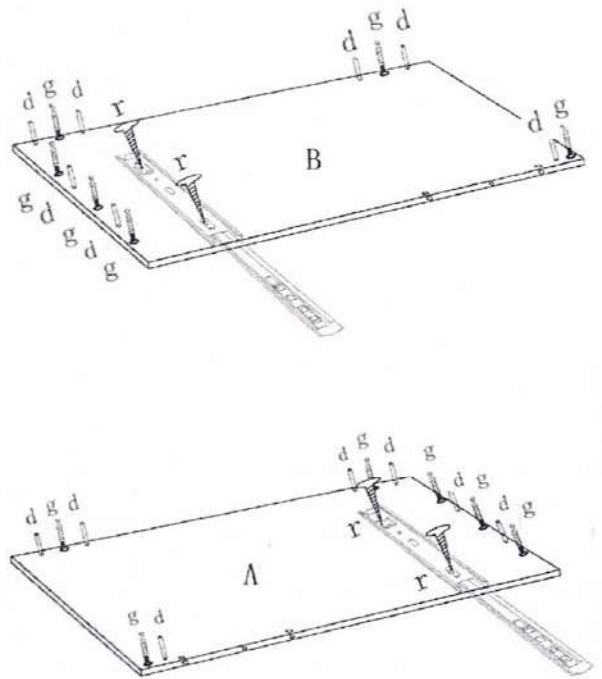


Black/White Rome model

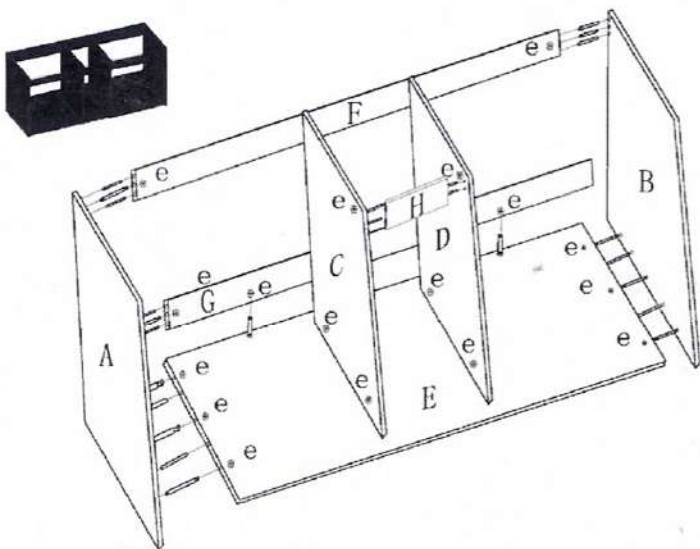
1



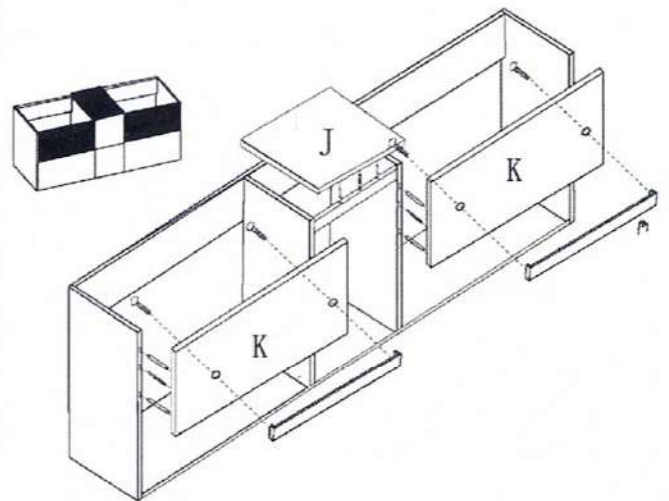
2



3

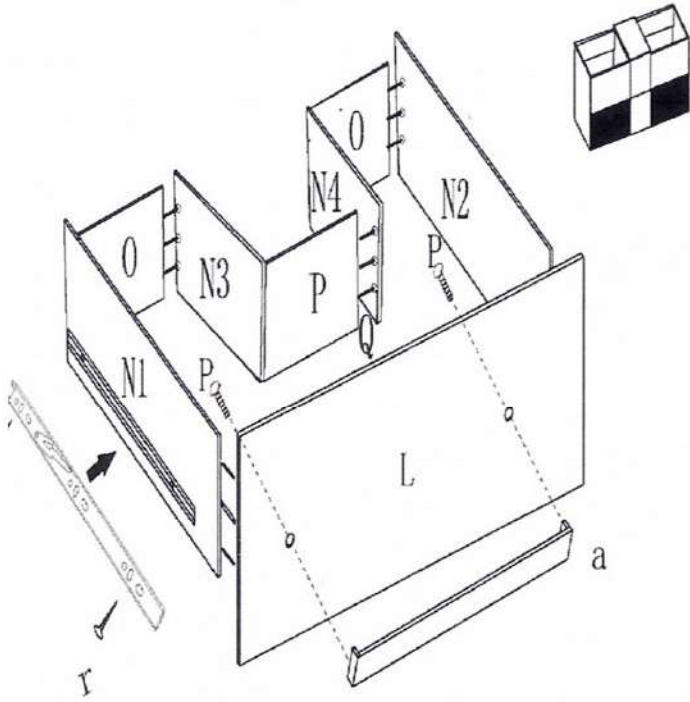


4

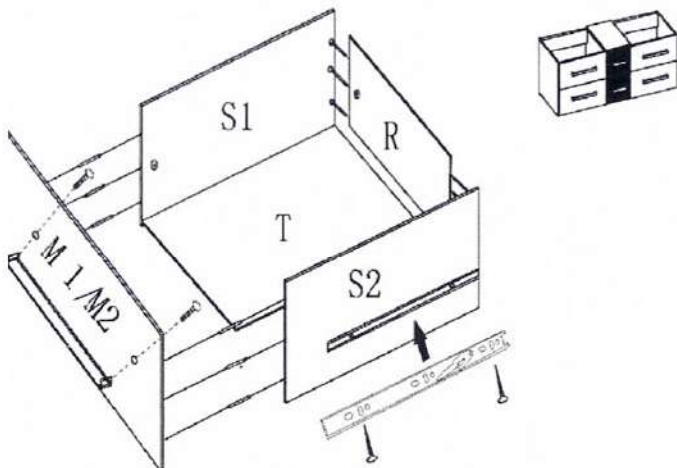
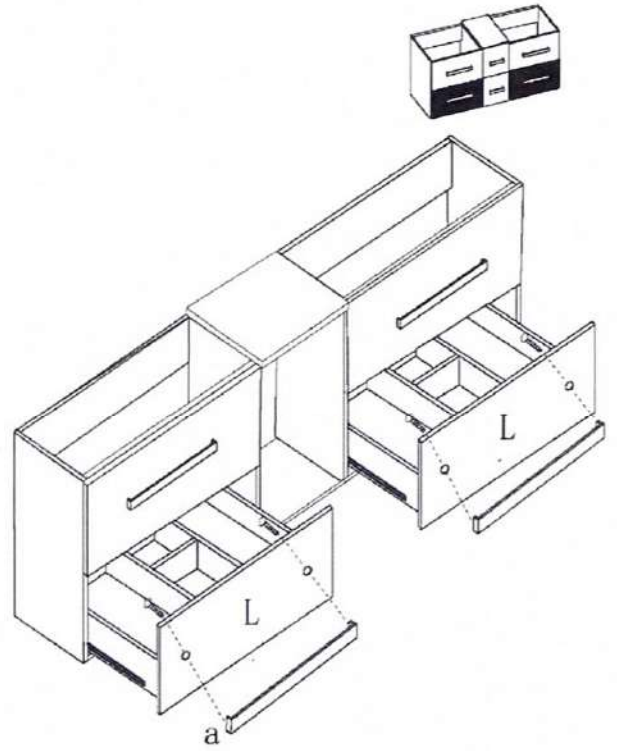


Black/White Rome model

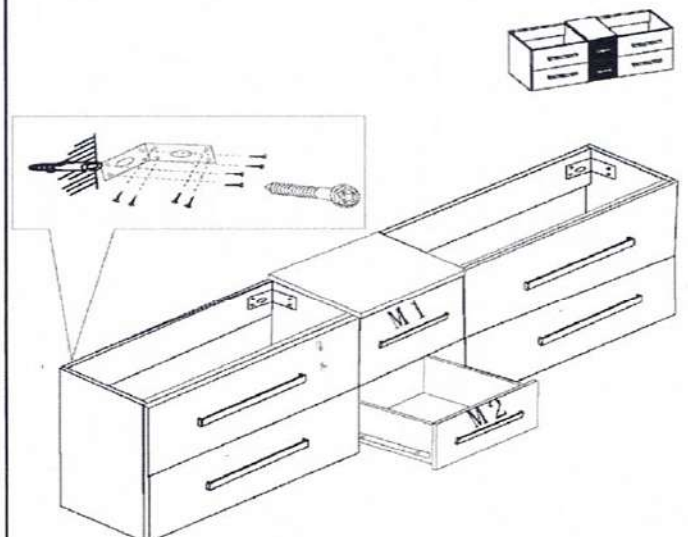
5



6

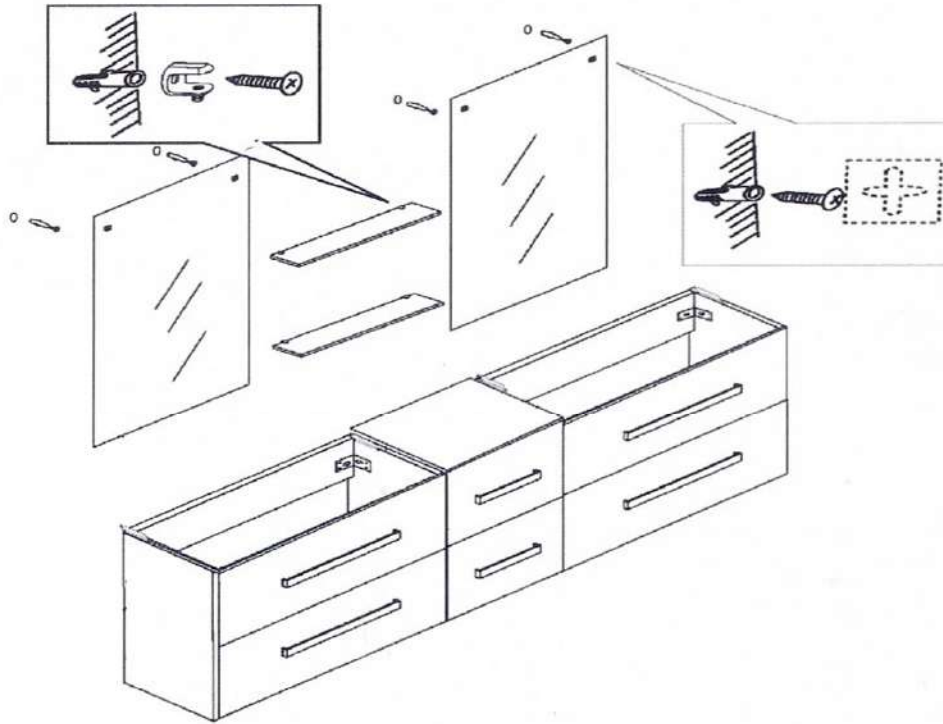


8



3

9



10

